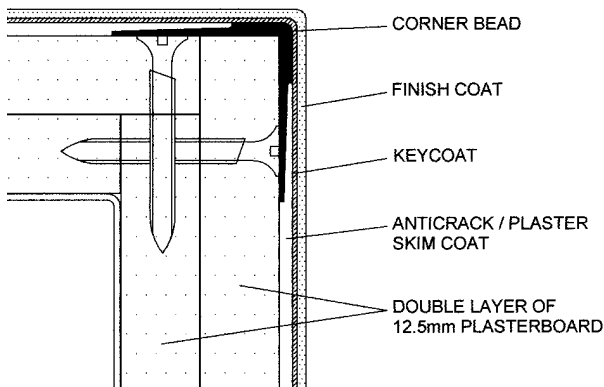


Drawing Detail Sheet DDS1

External Angle Detail

The specification is for guidance only. It describes good working practice. It does not claim to be the right or only method of using plasterboard to provide a solid substrate and is made without responsibility for the execution of the work. Build quality is the responsibility of the installer/builder. Please read this specification sheet in tandem with specification sheet number two – “Armourcoat (ASF) QA Working Specification for Plasterboard / Drylining Substrates”.



Whilst every attempt has been made to ensure the accuracy and reliability of the information contained in this document, the information should not be relied upon as a substitute for formal advice. Armourcoat Ltd, its employees and agents will not be liable for any loss or damage, of any kind, arising out of or in connection with the use of this document. Please refer to the company disclaimer for further details.

SPD DDS1 0504©

Armourcoat Limited
Morewood Close London Road
Sevenoaks Kent TN13 2HU United Kingdom
Tel: +44 (0)1732 460 668 Fax +44 (0)1732 450 930
Email: technical@armourcoat.co.uk

web: www.armourcoat.com